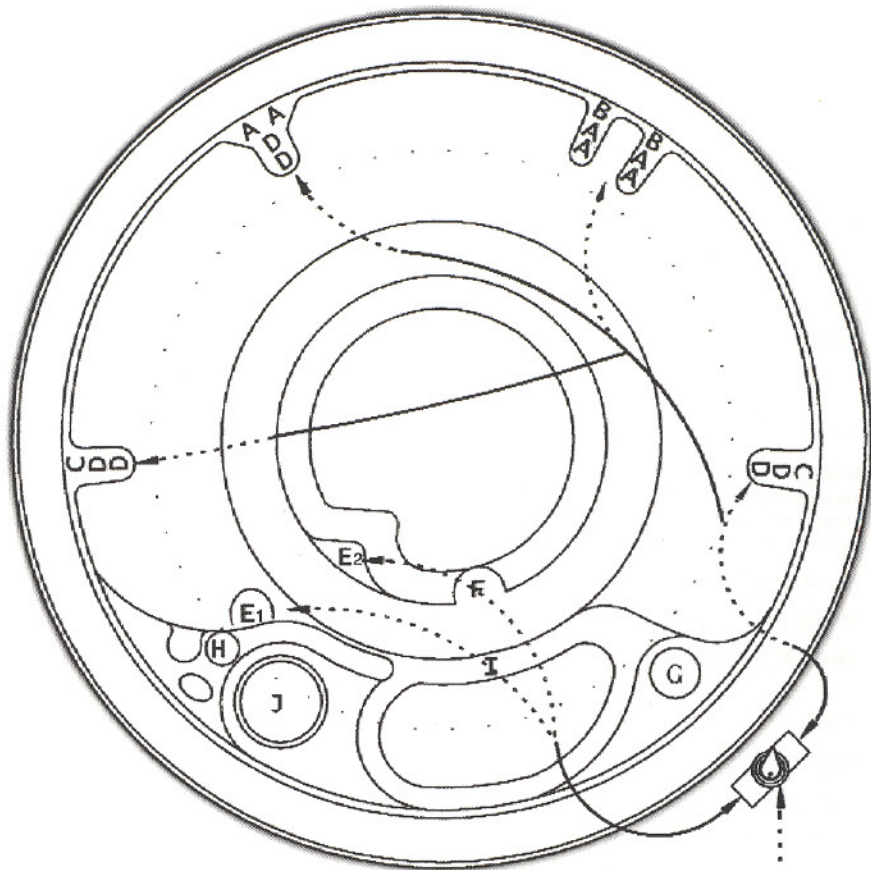


WATER THERAPY FLOW



NOTE: Classic Model (U115) has only one (1) Turbo Jet indicated on drawing as E1.



- | | |
|---------------------|--------------------------------|
| A. Midi Swirl Gray | F. Suction 200 RD Gray |
| B. Midi Direct Gray | G. Three Way Valve 2 Inch Gray |
| C. Quad Direct Gray | H. Air Control Gray |
| D. Quad Swirl Gray | I. Light |
| E. Turbo Jet Gray | J. Skimmer Filter 50SF Gray |

DM Industries, Ltd., 2320 Northwest 147th Street, Miami, Florida 33054
 Phone: (305) 685-2063 or (305) 908-8187 • Toll Free: (877) 240-9457
 FAX: (305) 685-9794

SPACIRQ-01-1112C

© 2001 DM INDUSTRIES • ALL RIGHTS RESERVED

Le Cirque

QUICK REFERENCE GUIDE for Classic Model (U115) & Deluxe Model (U140)

This guide is provided as a quick reference for your spa operation. Please refer to the spa owner's manual for complete instructions. **Please read all Safety Instructions in your manual**

Initial Start Up - No programming is needed. Once properly connected, press the jet button to activate the low speed of the pump. The heater will come on and heat the spa. Default factory-programmed temperature, time and filtration hours are: 102F, 12pm and 4 hours (F=4H) respectively. Those initial settings can be changed by following the instructions shown below.

View Time and Temperature - Press "PROG" to toggle between time and temperature.

Setting Temperature - Press the "PROG" button to display water temperature - then "UP" or "DOWN" to select the desired temperature and "PROG" button to exit the programming mode.

Setting Time and Filtration Hours - Hold "PROG" for 5 seconds until hour starts flashing - then "UP" or "DOWN" for current hour - then "PROG" to show minutes - then "UP" or "DOWN" for current minutes - then "PROG" for filtration hours - then "UP" or "DOWN" for filtration cycle desired (F=4H or F=8H) - then "PROG" to exit.

Auto Heat Operation - The electronic thermostat will monitor your water temperature at the top of each hour by cycling the low speed pump for 2 minutes and maintain the set temperature 24 hours a day.

Jet Button - Press sequentially for pump low-speed, hi-speed and off. Jet Hi-speed automatically shuts off after 30 minutes.

Light Button - Press to turn light on & off. Light automatically turns off after 6hours.

Auxiliary Button - Not operational on U100 series spas.



DIAGNOSTIC & TROUBLESHOOTING

Resetting Your Spa

Like your PC at home, your spa electronics could get corrupted by electrical surges and operate improperly. If your spa system is not operating properly or shows any of the following messages, please reset it before calling for service to see if the malfunction disappears.

Turn power off for 5 full minutes –then– Turn power back on –then– Press "PROG" to show time –then– Hold "UP" for 5 seconds. Display will show 12:00 PM, indicating a successful reset (reboot).

SYMPTOM	MEANING	ACTION
Spa Inoperative	Power failure outside of spa.	Check power source Breaker and GFCI; Reset breaker/GFCI. Call Electrician if it will not start.
MESSAGE		
FLO	Lack of water flow through Heater.	Remove filter and check for debris in filter and filter adapter. If "FLO" remains check for closed gate valves or see priming the pump.
HILI	<p>a. Overheating detected in spa water. Spa pumps and heater will turn off at 112F for overheat protection. HILI message is not displayed. DO NOT ENTER THE WATER.</p> <p>b. HILI message appears if the high-limit sensor detects 118F at the spa heater. DO NOT ENTER THE WATER.</p>	See page 15 (Overheat Protection) of your spa manual. Remove the spa cover and let the water temperature cool down to 104F. Reset as shown above "Resetting Your Spa". If your spa reaches 112F again, contact your dealer for service.
ICE	Water in plumbing below 50 F Call for service if spa fails to come on.	No action required. Pump will come on to circulate water and then heater. Heater will stay on until water reaches 60 F or set temperature.
LS=0 or LS=S	Water temperature sensor	Reset spa. If message comes back, call for service.
SS=0 or SS=S	High Limit sensor	Reset spa. If message comes back, call for service.
PB	Break in communication.	Reset spa. If message comes back, call for service.

SPECIFICATIONS

Models: Le Cirque Classic and Le Cirque Deluxe

Size, Capacity & Weights

	Classic	Deluxe
Seating	5 Adults	5 Adults
Outside Dimension	78.5" (200 cm)	78.5" (200 cm)
Overall Height	35.5" (90 cm)	35.5" (90 cm)
Dry Weight	450 lb/205 kg	450 lb/205 kg
Water Fill (average)	275 gal/ 1040 ltr	275 gal/ 1040 ltr
Filled Weight (no occupant)	2733 lb/1243 kg	2733 lb/1243 kg
Filled Weight w/5 occupants	3483 lb/1584 kg	3483 lb/1584 kg
Floor Loading w/5 occupants	105 lbs/sq ft.	105 lbs/sq ft.
	505 kg/m2	505 kg/m2

Plumbing & Electrical

All spas must be GFCI protected.
Read Important Safety Instructions
on page 2 of your owner's manual.

	Classic	Deluxe
Spa Rating	110V 15A or 220V 50A	220V 50A
Wiring	3 wire 110V – 4 wire 220V	3 wire
Electrical Connection	GFCI cord 110V – Hardwire 220V	Hardwire 220V
Pump	1.5hp 110V/60Hz 2 speed	4hp 220V/60Hz 2 speed
Heater	1.5kw(110v) or 4kw(220v)	4 kw
Light (with blue, red lenses)	12V	12 V
Digital Control	12V	12 V
Total Jets	17	20
Diverter Valve	1	1
Turbo Massage Jet	1	2
Hydro Therapy Jets	16	18
Gravity Drain	1	1
Water Suction	1 rated: 200 gpm	1 rated 200 gpm
Ozone Ready	Yes	Yes
Filter	50 Sq.ft	50 Sq.ft